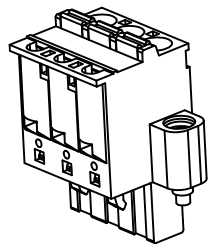


HSF

NOTES:

Rated Current:10.0 AMP
 Contact Resistance:20 mΩ Max
 Withstand Voltage:2000 V AC/DC
 Insulation Resistance:1000 MΩ min
 Operation Temperature:-40°C to +105°C
 Wire Range:26~12 AWG
 Wire Strip Length: 7 mm
 No.of Positions:2~24
 Screw Counter Torsion Force: 3.5 lbf.in Min.



3D VIEW(REF.)
SCALE 1:2

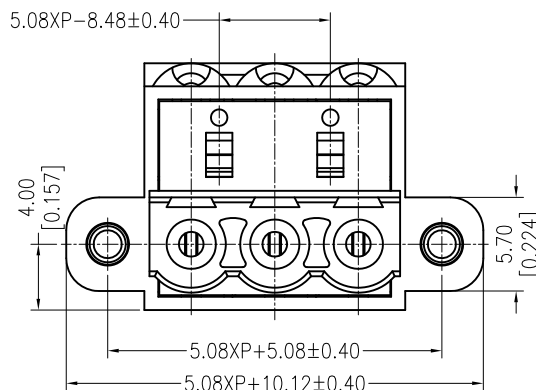
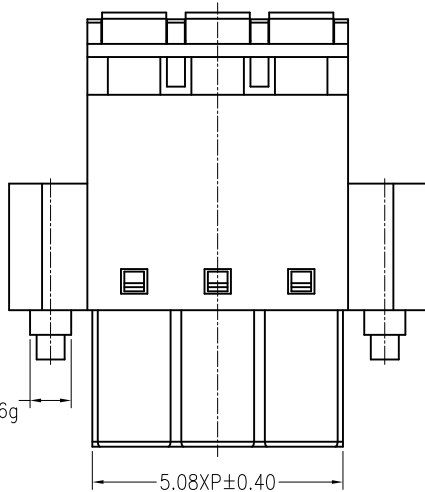
Terminal Material:Phosphor Bronze
 Terminal Plating:
 Matte Tin Plated Over Nickel
 Spring Blade Material:Stainless Steel
 Screw Material: Steel
 Screw Plating:
 Nickel Plated Over All
 Up Cover Material:
 (High Temp.)Thermoplastic.Ul94 V-0
 Below Cover Material:
 (High Temp.)Thermoplastic.Ul94 V-0
 Push Pole Material:
 (High Temp.)Thermoplastic.Ul94 V-0
 2P Without RAMP Locking "A"

Ordering Information:

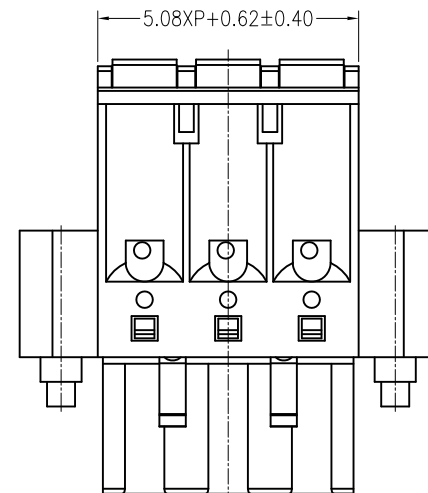
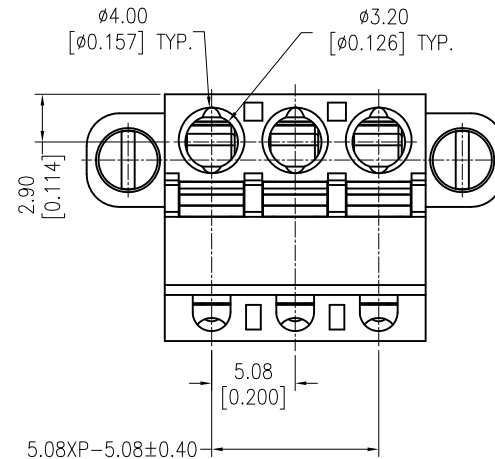
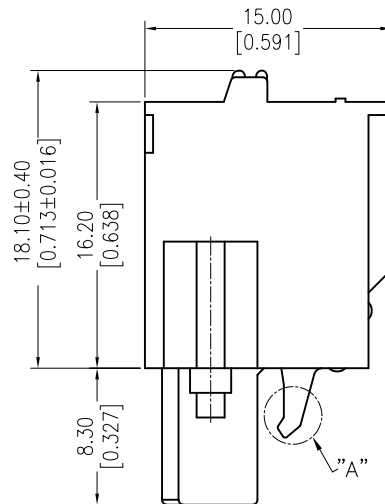
P F 508 S-1 F XX A SM W 1 N

F=Female Pitch 508=5.08
 No.of Pins 02-24P
 Color A=Green
 Contact Plated SM=Matte Tin
 Type W=WithScrew

2-M2.50
[0.098]-6g



"A" VIEW
SCALE 1:1



"A" VIEW

					OPERATION	DRAW	DATE	SCALE	FIT	PART NO.
					X.X ±0.40	Tsingsn	2013/08/20	UNIT	mm	PF508S-1FXXASMW1N
					X.XX ±0.25	CHECK	DATE	SIZE	A4	TITLE: 5.08mm Pitch Female Spring Plugs For Pluggable Terminal Blocks With Screw
AO	2013/08/20		NEW	/	X.XXX ±0.15	APPROVE	DATE	SHEET	1/1	Customer NO.
REV	DATE		MODIFICATION DESCRIPTION	CHANGE	Angle ± 3'			PROJ.	⌀	
					DIM TOL					