

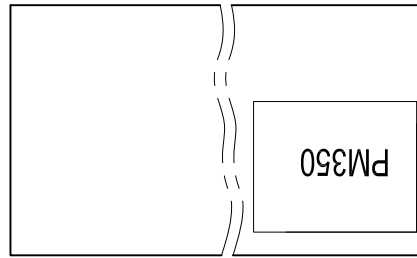
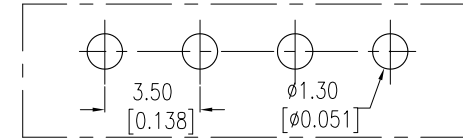
HSF

NOTES:

Current Rating:8A
 Voltage Rating:300V
 Contact Resistance:8milliohm Max
 Withstand Voltage:AC2000V
 Insulation Resistance:1000Megohm Min
 Operation Temperature:-40°C to +105°C

Housing Material:PA66+30%GF(UL94V-0) $\Delta 3$
 Contact Material:Brass

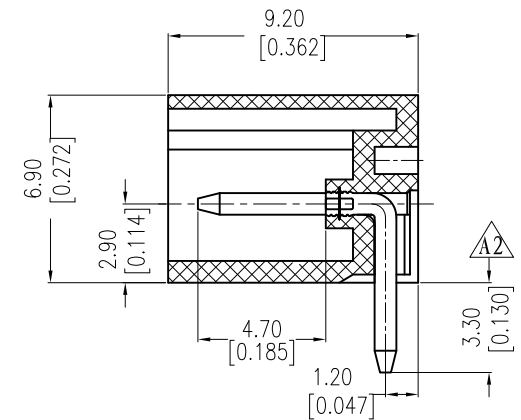
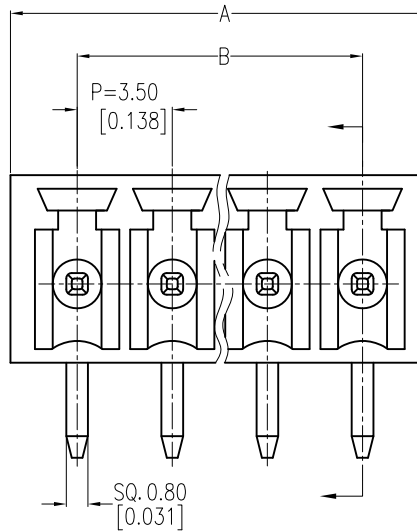
Recommended P.C.B Layout (Top Side)
 (PCB BOARD TOLERANCE ± 0.05)



Ordering Information:

P M 350 - 1 R XX A SM 1

M=Male Pitch 350=3.50
 No.of Pins 02-20P Color A=Green Contact Plated SM=Matte Tin Series No.



11P	39.90 ±0.30	35.00 ±0.30			
10P	36.40 ±0.30	31.50 ±0.30	20P	71.40 ±0.40	66.50 ±0.40
9P	32.90 ±0.30	28.00 ±0.30	19P	67.90 ±0.40	63.00 ±0.40
8P	29.40 ±0.20	24.50 ±0.20	18P	64.40 ±0.40	59.50 ±0.40
7P	25.90 ±0.20	21.00 ±0.20	17P	60.90 ±0.40	56.00 ±0.40
6P	22.40 ±0.20	17.50 ±0.20	16P	57.40 ±0.40	52.50 ±0.40
5P	18.90 ±0.20	14.00 ±0.20	15P	53.90 ±0.40	49.00 ±0.40
4P	15.40 ±0.20	10.50 ±0.20	14P	50.40 ±0.30	45.50 ±0.30
3P	11.90 ±0.20	7.00 ±0.20	13P	46.90 ±0.30	42.00 ±0.30
2P	8.40 ±0.20	3.50 ±0.10	12P	43.40 ±0.30	38.50 ±0.30
PIN	A	B	PIN	A	B

ITEM	Pitch	Mating
Standard	3.50	PF350
Alternate		

REV	DATE	MODIFICATION DESCRIPTION	CHANGE	OPERATION	DRAW	DATE	SCALE	FIT	PART NO.
A3	2013/06/05	Modify The Housing Material	$\Delta 3$	OPERATION	TS	2013/06/05	SCALE	FIT	PM350-1RXXASM1 $\Delta 3$
A2	2013/04/24	Modify The Dimension 3.50 To 3.30	$\Delta 2$	X.X ±0.40	CHECK	DATE	UNIT	mm	TITLE: 3.50mm Pitch Male Pluggable Terminal Blocks
A1	2012/05/09	MODIFY PF350-01-XX-A-SM → PM350-1RXXASM1	$\Delta 1$	X.XX ±0.25	APPROVE	DATE	SIZE	A4	
A0	2011/06/07	NEW		X.XXX ±0.15	DATE	SHEET	1/1	Customer NO.	
				Angle ± 3'			PROJ.		
				DIM TOL					