

HSF

Specification

- 1.Current Rating:1.5AMP
- 2.Contact Resistance:30mΩ max
- 3.Insulation Resistance:1000MΩ min
- 4.Dielectric Withstanding Voltage:500V R.M.S
- 5.Temperature Rating:-40℃ to +85℃

Mechanical Characteristics:

- 6.Mating Force:3.57kg.min
- 7.Unmated Force:0.8kg.min
- 8.Durability:Mandatory:5000 Cycles

Contact:Phosphor Bronze (T=0.20mm)

Insulator:PA9T (UL 94V-0)

Shell:SUS201(T=0.30mm)

Ordering Information

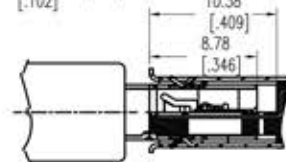
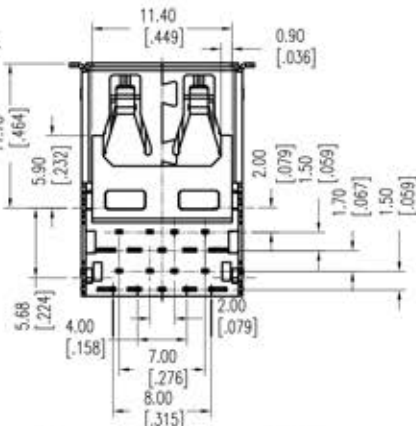
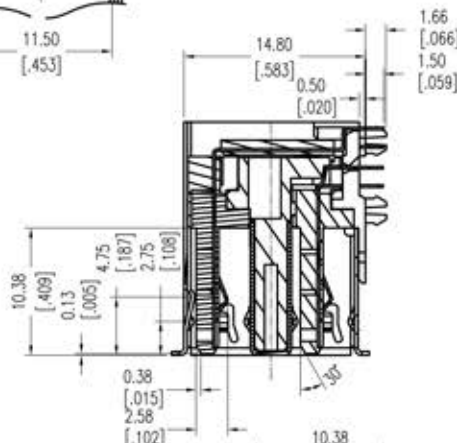
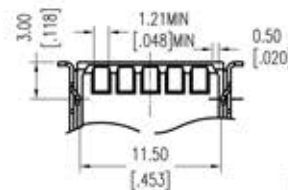
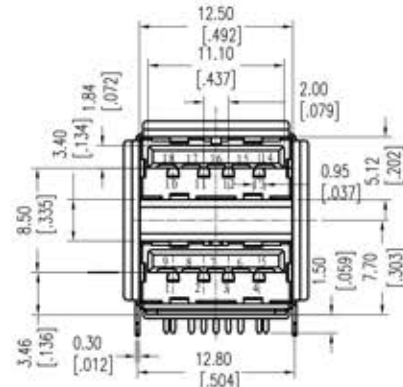
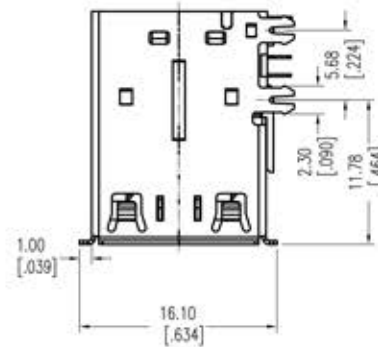
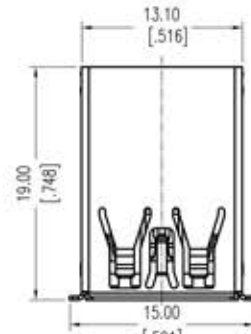
6113-18 A F R D S X U N A 2

Contact Plating
S0=Gold Flash/Tin
S1=3u"Gold/Tin
S2=5u"Gold/Tin
S3=10u"Gold/Tin
S4=15u"Gold/Tin
S5=30u"Gold/Tin

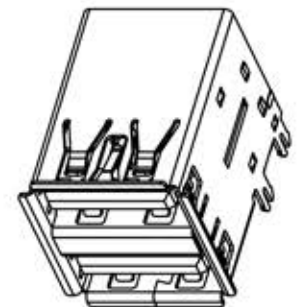
Plating
U=Blue

Packing:
A=Tray

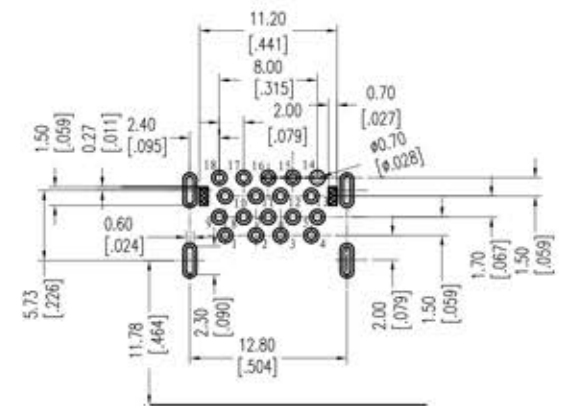
Series No.



Mating Drawing



Recommended P.C.B Layout(Top Side)
(PCB BOARD TOLERANCE±0.05)
Thickness:1.20mm



| PIN NUMBER | SIGNAL NAME |
|--------------|---------------|
| 1 | 10 VBUS |
| 2 | 11 D- |
| 3 | 12 D+ |
| 4 | 13 GND |
| 5 | 14 STDA_SSTX- |
| 6 | 15 STDA_SSTX+ |
| 7 | 16 GND_DRAIN |
| 8 | 17 STDA_SSRX- |
| 9 | 18 STDA_SSRX+ |
| SHELL SHIELD | |

OPERATION

DRAW

DATE

SCALE

FIT

PART NO.

6113-18AFRDSXUNA2

X.X ±0.40

Wang

2012/07/04

UNIT

mm

TITLE:

X.XX ±0.25

CHECK

DATE

SIZE

A4

双层USB3.0A-TYPE FEMALE

X.XXX ±0.15

APPROVE

DATE

SHEET

1/1

鱼叉脚90° DIP L=19.00

Angle ± 3°

CHANGE

DATE

PROJ.

Customer NO.

DIM TOL

AD 2012/07/04

NEW

REV DATE

MODIFICATION DESCRIPTION

CHANGE