

HSF

TECHNICAL SPECS:

Current Rating: 1.0AMP
 Contact Resistance: 10mΩ Max
 Dielectric Strength: Min 500VRMS
 Mechanical Life: Min 500 cycles
 Mating Pin: $\phi 0.38$ to $\phi 0.50$ mm
 Forces: (polished steel gauge $\phi 0.41$ mm)
 Insertion: 150g Max/Pin, Withdrawal: 30g Min/Pin
 Operation Temperature: -40°C to +105°C

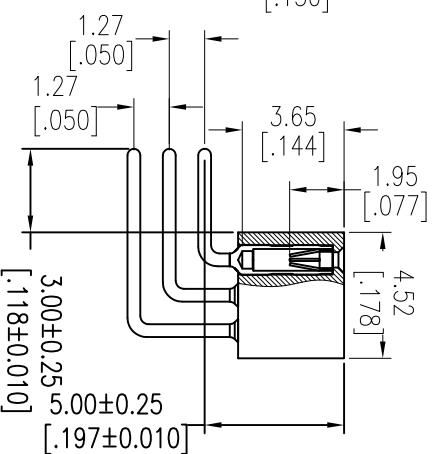
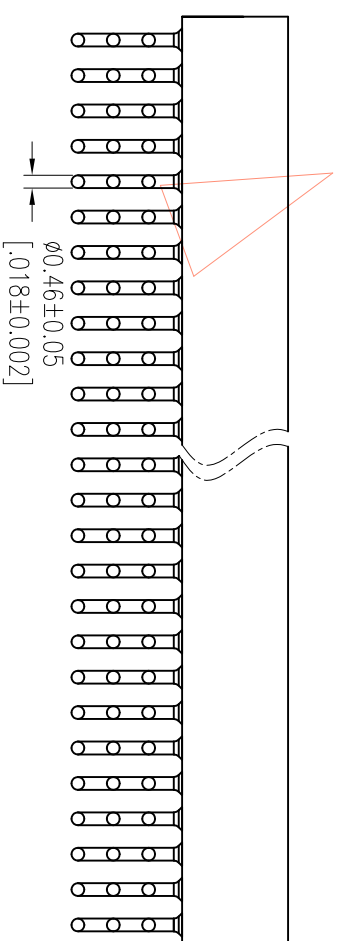
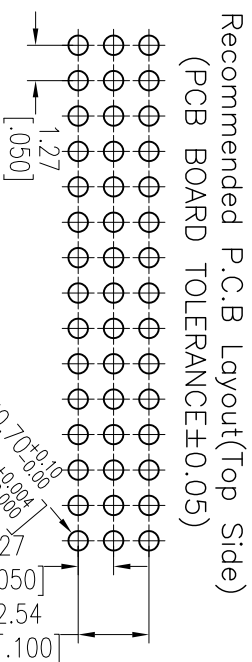
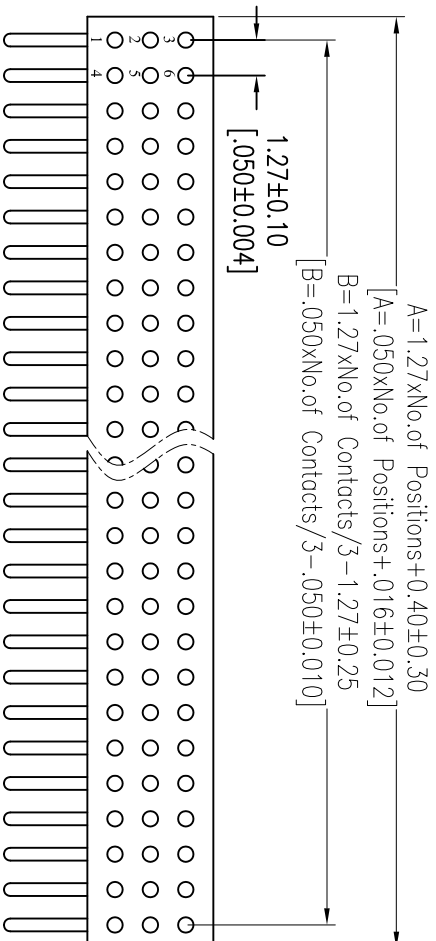
Sleeve: Brass CuZn36Pb3(C36000), Sn over Ni
 Contact Clip(6 finger): BeCu(C17200), Au or Sn over Ni
 Insulator Material: PPS+30%G.F.(UL94V-0)

Ordering Information

3524-383 XX R XX 089 X 1

No. of Pin Contact Plating Packing
 2-50PIN S0=Gold Flash/Tin A=Tray
 S3=(0u"Gold/Tin T=Tube
 S4=15u"Gold/Tin
 S5=30u"Gold/Tin SN=Tin

Item	Pitch	Mating
Standard	1.27	3514
Alternate		



REV	DATE	MODIFICATION DESCRIPTION
A1	2013/01/15	Modify drawing
A0	2012/10/16	NEW

OPERATION	DRAW	DATE	SCALE	FIT	PART NO.
X.X	Wang	2013/01/15	UNIT	mm	3524-383XXXXX089X1
X.XX	CHECK	DATE	SIZE	A4	TITLE:
X.XXX	CHECK	DATE	SHEET	1/1	1.27mm MACHINED FEMALE HEADER
Angle	APPROVE	DATE	PROJ.		THREE ROW 90° H=3.80
DM	TOL				Customer NO.