

HSF

NOTES:

Current Rating: 1.0AMP
 Contact Resistance: 20mΩ Max
 Withstand Voltage: 500V AC/DC
 Insulation Resistance: 1000MΩ Min
 Operation Temperature: -40°C to +105°C

Contact Material: Phosphor Bronze
 Contact plating: Au or Sn over Ni
 Insulator Material: PA9T+33%GF UL94V-0

Ordering Information

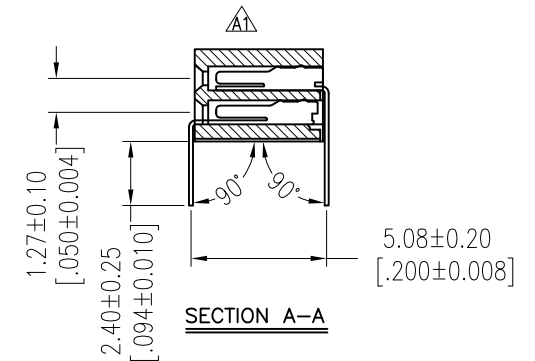
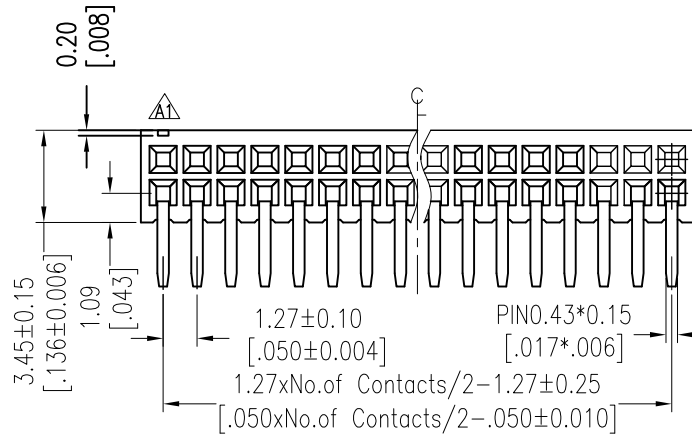
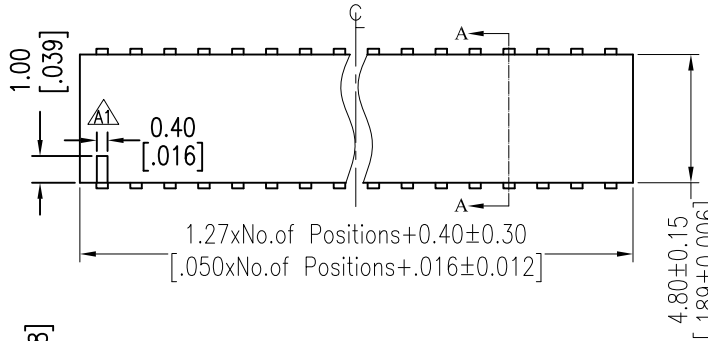
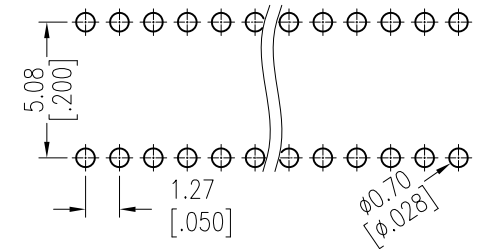
2335-2 XX R XX CUN X 1

No. of Pins per Row: 02-50Pin

Contact Plating:
 G0=Gold Flash
 G3=10μ"Gold
 G4=15μ"Gold
 G5=30μ"Gold
 S0=Gold Flash/Tin
 S3=10μ"Gold/Tin
 S4=15μ"Gold/Tin
 S5=30μ"Gold/Tin
 SN=Tin

Packing:
 T=Tube
 R=Tape&Reel Δ

Recommended P.C.B Layout (Top Side)
 (PCB BOARD TOLERANCE ±0.05)



Item	Pitch	Mating
Standard	1.27	1310/1315/1320
Alternate		

REV	DATE	MODIFICATION DESCRIPTION	CHANGE	OPERATION	DRAW	DATE	SCALE	FIT	PART NO.
A1	2017/04/19	Modify plasitc, Add Tape Packing	Δ	X.X ±0.40	Surong Xu	2017/04/19	UNIT	mm	2335-2XXRXXCUNX1
A0	2012/07/07	NEW	-----	X.XX ±0.25	CHECK	DATE	SIZE	A4	TITLE: FH1.27 DUAL SIDE INSERT 90° H=3.45
				X.XXX ±0.15	APPROVE	DATE	SHEET	1/1	Customer NO.
				Angle ± 3'			PROJ.	Φ	
				DIM TOL					