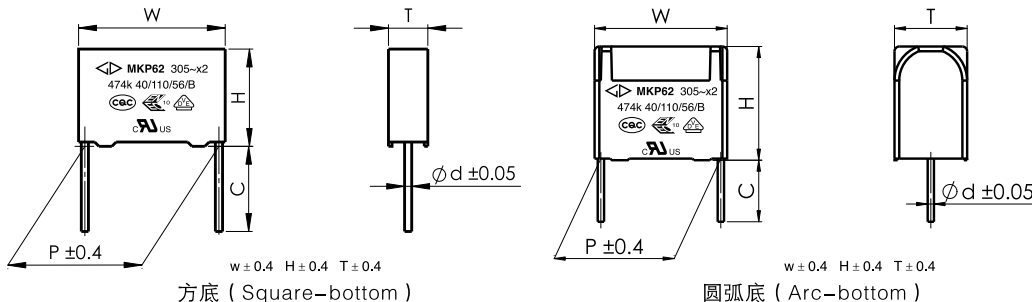




**MKP62**  
Code: C42(W)

## 金属化聚丙烯膜抗干扰电容器 ( X2类, THB防潮系列 ) Metallized polypropylene film interference suppression capacitor (Class X2, Temperature Humidity Bias (THB) series)

### ■ 外形图 Outline Drawing



### ■ 特点

- 在严苛的环境下(如高温高湿)长期应用容量稳定性优异
- 自愈性能优异, 能承受浪涌电压冲击
- 优异的阻燃性能

### ■ 应用

- 电源串联连接用
- 阻容降压应用
- 例如: 电表, LED供电模块及其他苛刻应用环境

### ■ 安全认证 Safety Approvals

●		CQC (中国)	IEC 60384-14:2013, X2, 305Vac/275Vac, 0.00100μF~50.0μF, 40/110/56/B 证书号(Certificate No.): CQC03001002875
●		ENEC-VDE (欧盟)	EN 60384-14:2013, X2, 305Vac/275Vac, 0.0010μF~50.0μF, 40/110/56/B 证书号(Certificate No.): 40000358
●		UL/CUL (美国/加拿大)	UL 60384-14:2009, CSA E60384-14:09, X2, 305Vac/275Vac, 0.0010μF~50.0μF, 40/110/56/B 证书号(File No.): E186600, CCN: FOWX2/B
●		KC (韩国)	K 60384-14(2006-12), X2, 305Vac/275Vac, 0.0010μF~3.0μF, 40/110/56/B 证书号(Certificate No.): SU03060-12001A/12002/12003/12004

### ■ 技术要求 Specifications

引用标准 Reference Standard	GB/T 6346.14 (IEC60384-14)		
电容器类别 Class	X2 类		
气候类别 / 阻燃等级 Climatic Category/Passive Flammability Category	40/110/56/B		
工作温度范围 Operating Temperature Range	-40℃ ~ +110℃		
额定电压 Rated Voltage (U <sub>R</sub> )	305Vac/275Vac, 50/60Hz		
电容量范围 Capacitance Range	0.010μF ~ 15μF		
电容量偏差 Capacitance Tolerance	± 10% ( K ), ± 20% ( M ) (Other tolerance available on request)		
耐电压 Voltage Proof	引线之间 Between Terminals:	4.3U <sub>R</sub> (dc), 2s	
	极壳之间 Between Terminals To Case:	2 120Vac, 1min	
绝缘电阻 Insulation Resistance	R ≥ 15 000MΩ, C <sub>N</sub> ≤ 0.33μF RC <sub>N</sub> ≥ 5 000s, C <sub>N</sub> > 0.33μF (20℃, 100V, 1min)		
损耗角正切 Dissipation Factor (tan δ)	C <sub>N</sub> ≤ 1.0μF	≤ 10 × 10 <sup>-4</sup> (1kHz, 20℃)	≤ 20 × 10 <sup>-4</sup> (10kHz, 20℃)
	C <sub>N</sub> > 1.0μF	≤ 20 × 10 <sup>-4</sup> (1kHz, 20℃)	≤ 40 × 10 <sup>-4</sup> (10kHz, 20℃)
耐湿负荷测试 THB test (Damp heat test with loading)	Temperature: 85℃ ± 2℃; Humidity: 85% ± 2% Voltage: 240Vac 50Hz; Duration: 1 000 h Capacitance change ( ΔC/C ): ≤ 10% Dissipation factor change ( Δtanδ ): ≤ 0.5% (1kHz) Insulation resistance: ≥ 50% of the rated value		

产品编码说明 Part number system

■ 18位产品代码如下：

The 18 digits part number is formed as follow:

1	2	3	4	5	6	7	8	9	10	11	12	13	14	15	16	17	18
C	4	2								W							

第1~3位	型号代码	Digit 1 to 3	Series code
	C42=MKP62		C42=MKP62
第4~5位	交流额定电压	Digit 4 to 5	AC rated voltage
	Q2=305V P2=275V		Q2=305V P2=275V
第6~8位	标称容量	Digit 6 to 8	Rated capacitance value
	举例：474=47 × 10 <sup>4</sup> pF=0.47μF		For example: 474=47 × 10 <sup>4</sup> pF=0.47μF
第9位	容量等级	Digit 9	Capacitance tolerance
	K= ± 10% M= ± 20%		K= ± 10%, M= ± 20%
第10位	引线脚距P	Digit 10	Pitch
	6=15.0mm 9=22.5mm		6=15.0mm 9=22.5mm
	B=27.5mm F=37.5mm		B=27.5mm F=37.5mm
第11位	内部特征码	Digit 11	Internal use
第12~15位	引线形状和包装代码	Digit 12 to 15	Lead form and packaging code
第16~18位	内部特征码	Digit 16 to 18	Internal use

■ Table 1 引线形状和包装代码 lead form and packaging code

第 12 位 Digit 12		第 13 位和第 14 位 Digit 13 and 14		第 15 位 Digit 15	
代码 Code	说明 explanation	代码 Code	说明 explanation	代码 Code	说明 explanation
C	直脚 straight lead “C” in the figure above	00	标准的引线长度 (18mm ~ 26mm) standard lead length	0	引线长度偏差 ±0.5mm 或标准长度 Length tolerance ±0.5mm Or standard length
		45	引线长度 4.5mm lead length 4.5mm		



**MKP62**  
Code: C42(W)

■ 外形尺寸 Dimensions ( mm )

305Vac/275Vac #						
C <sub>N</sub> (μF)	W	H	T	P	d	Part number
0.010	17.5	11.0	5.0	15.0	0.6	C42Q2103-6W****+++
0.015	17.5	11.0	5.0	15.0	0.6	C42Q2153-6W****+++
0.022	17.5	11.0	5.0	15.0	0.6	C42Q2223-6W****+++
0.033	17.5	11.0	5.0	15.0	0.6	C42Q2333-6W****+++
0.047	17.5	11.0	5.0	15.0	0.6	C42Q2473-6W****+++
0.068	17.5	11.0	5.0	15.0	0.6	C42Q2683-6W****+++
0.10	17.5	12.0	6.0	15.0	0.6	C42Q2104-6W****+++
0.15	17.5	13.5	7.5	15.0	0.6	C42Q2154-6W****+++
0.22	17.5	14.5	8.5	15.0	0.8	C42Q2224-6W****+++
0.27	17.5	16.0	10.0	15.0	0.8	C42Q2274-6W****+++
0.33	17.5	16.0	10.0	15.0	0.8	C42Q2334-6W****+++
0.39	17.5	19.0	11.0	15.0	0.8	C42Q2394-6W****+++
0.47	17.5	19.0	11.0	15.0	0.8	C42Q2474-6W****+++
0.10	26.5	15.0	6.0	22.5	0.6	C42Q2104-9W****+++
0.15	26.5	15.0	6.0	22.5	0.6	C42Q2154-9W****+++
0.22	26.5	15.0	6.0	22.5	0.6	C42Q2224-9W****+++
0.27	26.5	16.0	7.0	22.5	0.6	C42Q2274-9W****+++
0.33	26.5	16.0	7.0	22.5	0.6	C42Q2334-9W****+++
0.39	26.5	17.0	8.5	22.5	0.8	C42Q2394-9W****+++
0.47	26.5	17.0	8.5	22.5	0.8	C42Q2474-9W****+++
0.56	26.5	18.5	10.0	22.5	0.8	C42Q2564-9W****+++
0.68	26.5	18.5	10.0	22.5	0.8	C42Q2684-9W****+++
0.82	26.5	20.0	11.0	22.5	0.8	C42Q2824-9W****+++
1.0	26.5	22.0	12.0	22.5	0.8	C42Q2105-9W****+++
1.2	26.5	24.5	15.5	22.5	0.8	C42Q2125-9W****+++
1.5	26.5	24.5	15.5	22.5	0.8	C42Q2155-9W****+++

305Vac/275Vac #						
C <sub>N</sub> (μF)	W	H	T	P	d	Part number
0.47	32.0	18.0	9.0	27.5	0.8	C42Q2474-BW****+++
0.56	32.0	18.0	9.0	27.5	0.8	C42Q2564-BW****+++
0.68	32.0	18.0	9.0	27.5	0.8	C42Q2684-BW****+++
0.82	32.0	20.0	11.0	27.5	0.8	C42Q2824-BW****+++
1.0	32.0	20.0	11.0	27.5	0.8	C42Q2105-BW****+++
1.2	32.0	22.0	13.0	27.5	0.8	C42Q2125-BW****+++
1.5	32.0	22.0	13.0	27.5	0.8	C42Q2155-BW****+++
2.2	32.0	28.0	14.0	27.5	0.8	C42Q2225-BW****+++
2.7	32.0	33.0	18.0	27.5	0.8	C42Q2275-BW****+++
3.3	32.0	33.0	18.0	27.5	0.8	C42Q2335-BW****+++
★ 3.9	32.0	37.0	22.0	27.5	0.8	C42Q2395-BW****+++
★ 4.7	32.0	37.0	22.0	27.5	0.8	C42Q2475-BW****+++
★ 2.2	41.0	26.0	12.0	37.5	1.0	C42Q2225-FW****+++
★ 2.7	41.0	28.0	14.0	37.5	1.0	C42Q2275-FW****+++
3.3	41.0	30.0	16.0	37.5	1.0	C42Q2335-FW****+++
★ 3.9	41.0	32.0	17.0	37.5	1.0	C42Q2395-FW****+++
4.7	41.0	33.5	18.5	37.5	1.0	C42Q2475-FW****+++
5.6	41.0	34.0	20.0	37.5	1.0	C42Q2565-FW****+++
6.8	41.0	37.0	22.0	37.5	1.0	C42Q2685-FW****+++
8.2	41.0	37.0	26.0	37.5	1.0	C42Q2825-FW****+++
10M	41.0	41.0	26.0	37.5	1.0	C42Q2106MFW****+++
★ 10K	41.0	43.0	28.0	37.5	1.0	C42Q2106KFW****+++
12	42.0	45.0	30.0	37.5	1.0	C42Q2126-FW****+++
★ 15	42.0	50.0	30.0	37.5	1.0	C42Q2156-FW****+++

- 备注: 1. “-”表示容量偏差。 “-”=capacitance tolerance code, K=±10%, M=±20%  
 2. “\*\*\*\*”表示引线形状和包装代码(见table 1)。“\*\*\*\*”=lead form and packing code (refer to table 1)  
 3. “#”当额定电压为275Vac时,第4~5位是P2。“#”when the rated voltage is 275Vac,the digit 4~5 is P2.  
 4. 380Vac电源场合建议使用MKP65。详细请与技术人员联系。  
 If used in the 380Vac, Pls refer to MKP65. Pls contact our technical engineer for more details.  
 5. “★”表示外壳为圆弧底。“★”=Arc-bottom of the outer shell.